

Special Parts

Earth Cover

Available for all types with or without tie bar.

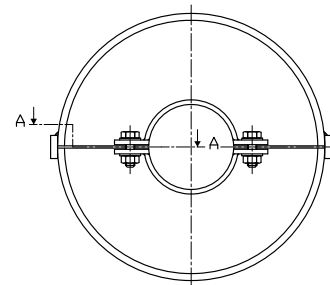
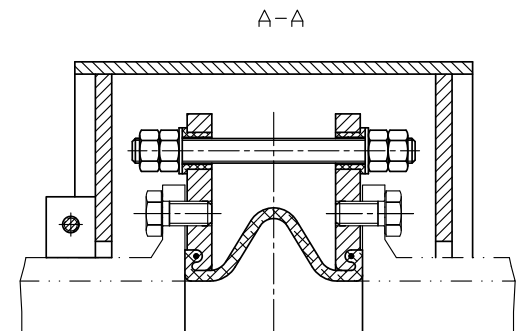
The earth cover is a two-piece cover, which is especially designed to protect rubber compensators in the earth. It is designed not to limit compensator movement.

Design:

Two-piece cover of S 235 JR G2 (RSt 37-2) or stainless steel. Fixing takes place with clamps which are permanently joined to the halves of the covers.

Note:

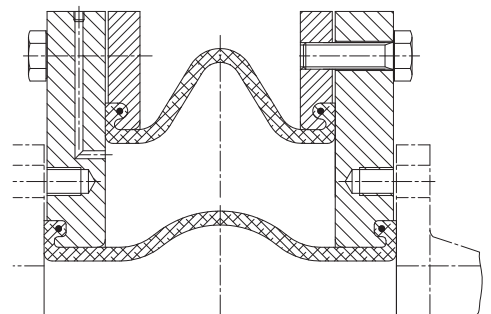
Easy installation, due to two-piece design. It must be ensured during installation that downward drainage is possible.



Safety compensator

Available for all types with or without tie bar.

The safety compensator is used for aggressive media for the purpose of leakage monitoring (2-bellow system).



Pressure balanced compensator

Available for all types. The pressure balanced compensator absorbs the reaction forces within the restraint and is suitable for absorbing axial and lateral movement.

